

Model G8-80 Rotary Gear Pump

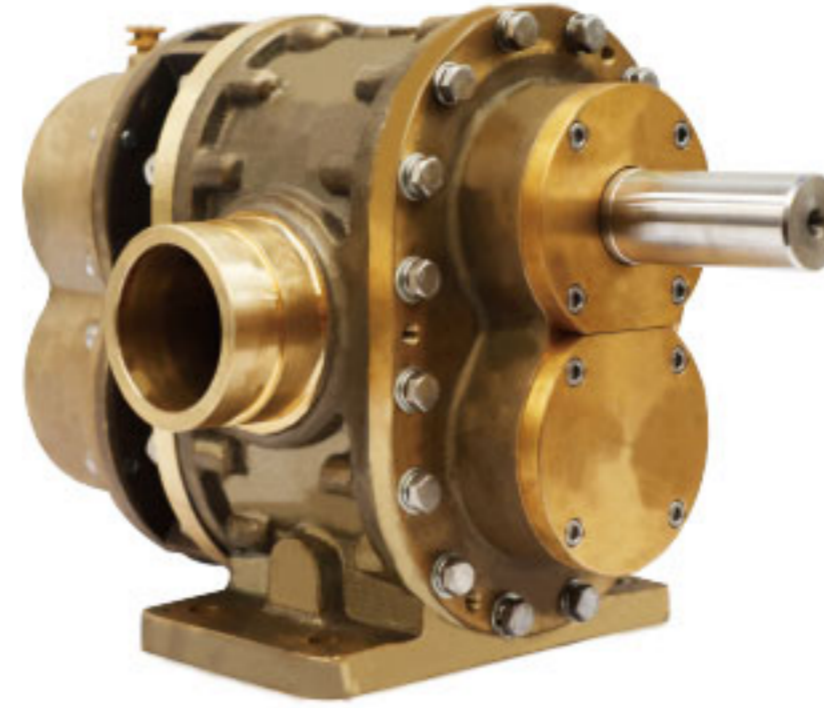
Surex rotary gear pumps designed for foam extinguishing system. They are Self-Priming and can pump Multiple Viscosities of Foam or Water. This versatile design is suitable for Electric, PTO, Diesel/Gasoline Engine, Water Driven or Hydraulic drive motors.

Design Features:

- Timing Gears Synchronize the Two Pumping Rotors.
- Timing Gears Allow for DRY Running Without Damage.
- No Rotor Contact Allows for Pumping Foam or Water.
- Water Can Be Used for: Calibration, Testing and Training.

Technical Data:

Max Pressure: 2.0MPa | 20bar
Max Speed: 1800RPM
Viscosity : 9500cp max.[1]
Connection Diameter: DN65(73.0 O.D.)、2½"
Connection Type: Groove、Thread、Flange
Approvals: FM
[1]Brookfield viscometer, spindle #4, speed 30rpm.



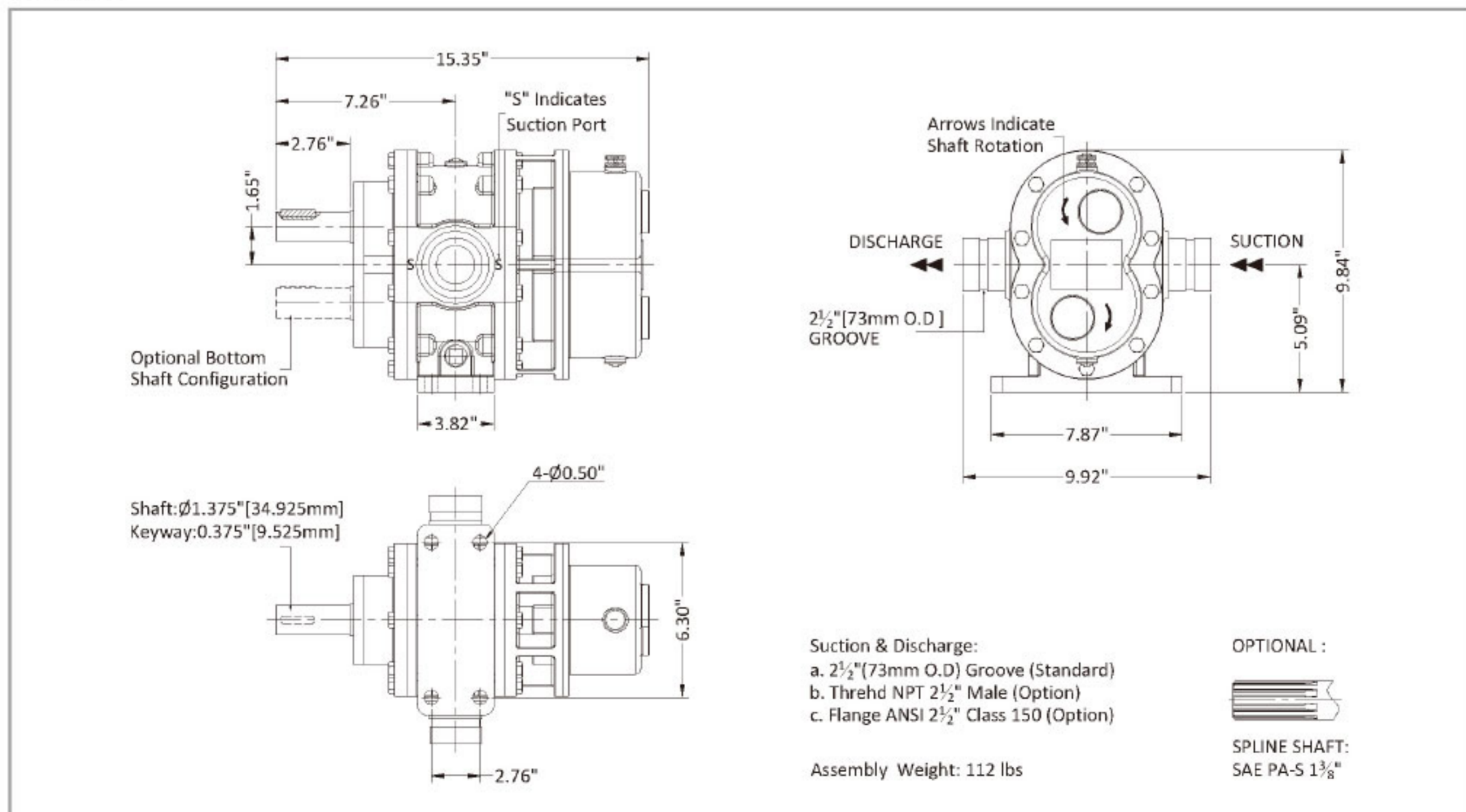
Materials :

Pump body: Red Brass, ASTM B584 C83600
Rotor: Stainless Steel 17-4PH
Red Brass, ASTM B584 C83600
Liners: Red Brass, ASTM B584 C83600
Front Cover: Red Brass, ASTM B584 C83600
Back Cover: Red Brass ASTM B584 C83600
Timing Gear: Alloy Steel 20CrMnTi (ASTM A29M)
Lip Seal : FPM

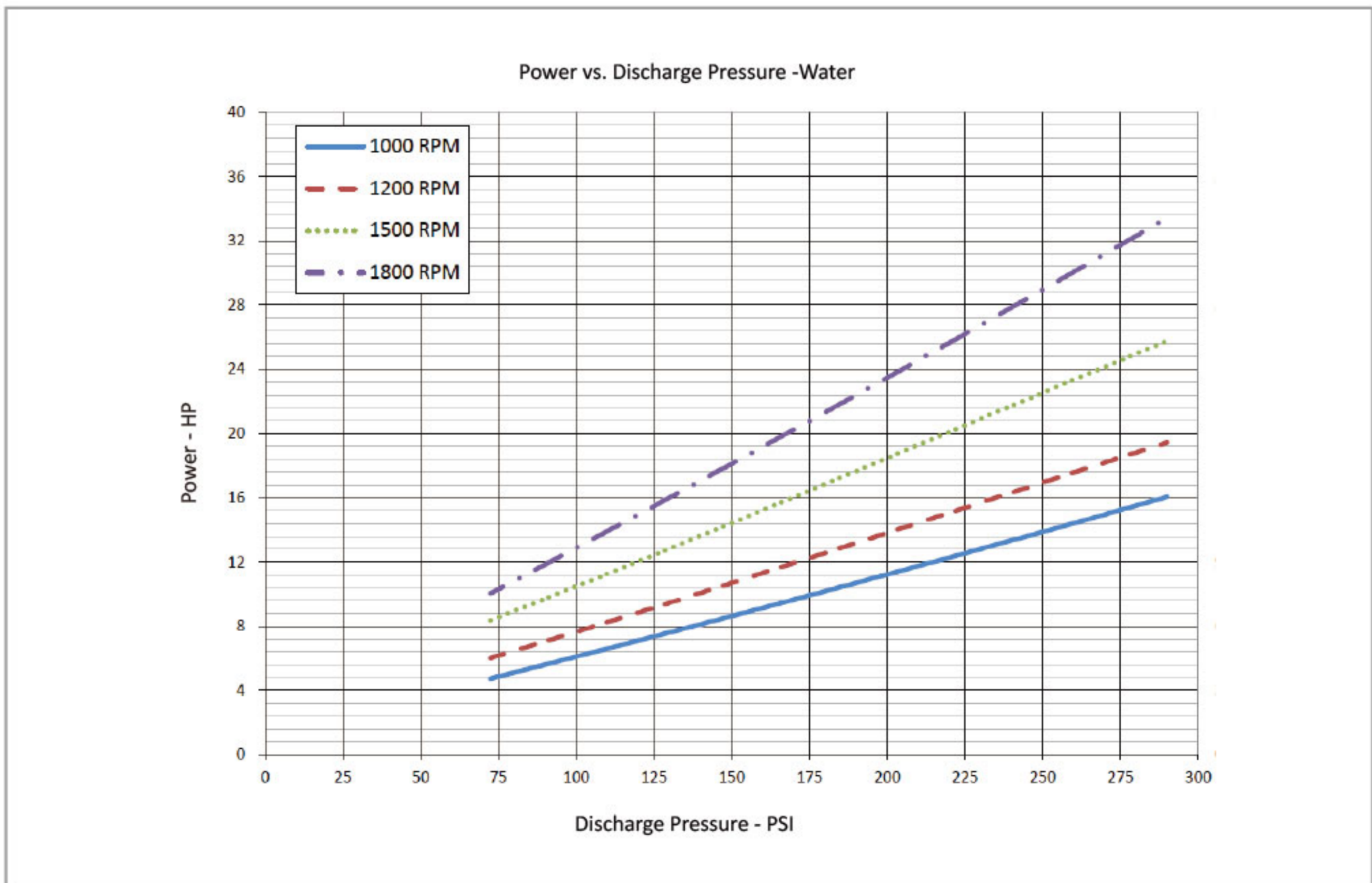
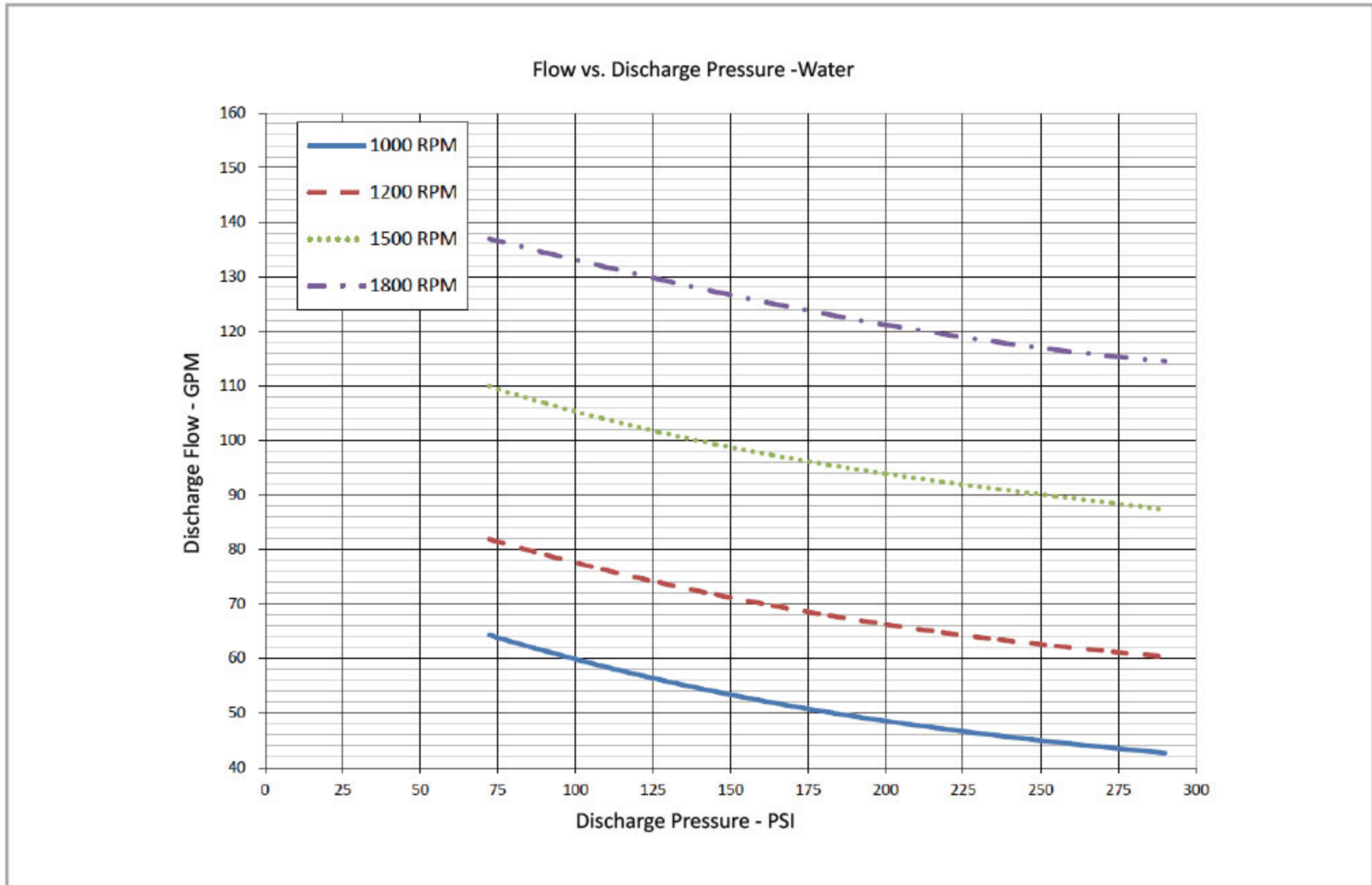
Performance -Water

Foam Pump	1000rpm			1200rpm			1500rpm			1800rpm		
	Pressure	Flow	Power	Torque	Flow	P	Flow	Power	Torque	Flow	Power	Torque
	PSI	GPM	HP	LB-FT	GPM		GPM	HP	LB-FT	GPM	HP	LB-FT
	72.5	64	5	25	82	6	27	8	30	137	10	30
	100	60	6	33	78	8	35	11	38	133	13	39
	150	54	9	47	71	11	48	15	51	127	19	55
	200	48	11	61	66	14	61	19	65	121	24	70
	250	45	14	74	62	17	75	23	79	117	29	84
	290	43	16	85	60	19	86	26	91	114	32	94

Dimensions



Model G8-80 Rotary Gear Pump



• The pump performance for foam concentrate, please contact Surex, or down load from www.surexfoam.com.